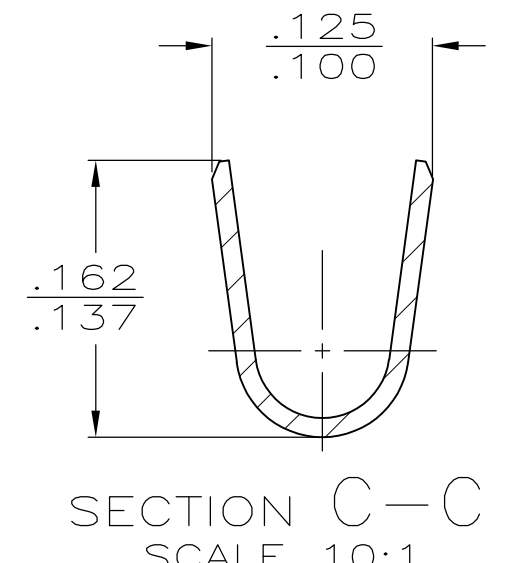
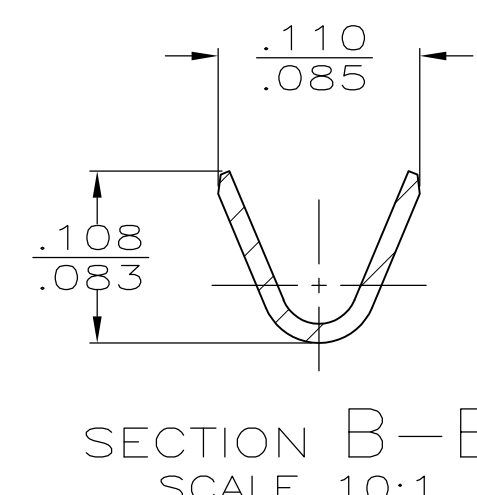
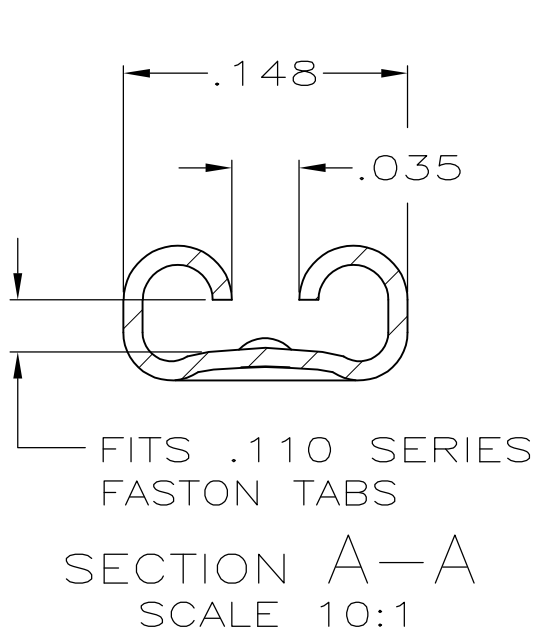
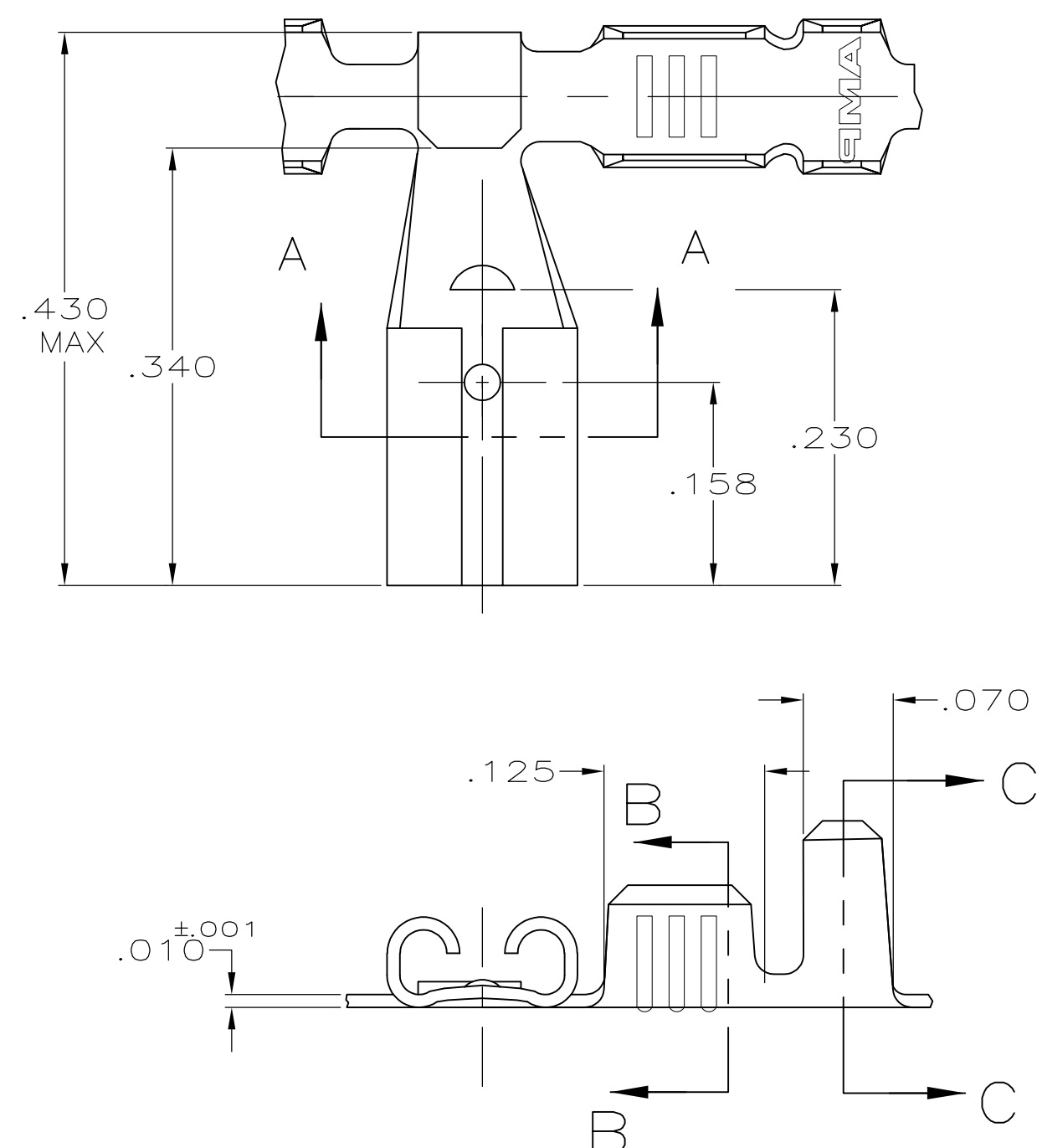


THIS DRAWING IS UNPUBLISHED. RELEASED FOR PUBLICATION
 © COPYRIGHT - By - ALL RIGHTS RESERVED.

LOC	DIST	REVISIONS			
P	LTR	DESCRIPTION	DATE	DWN	APVD
AF	50				
	D	REVISED PER ECR-12-013459	28NOV2012	KH	PD



1 CONTINUOUS STRIP ON REELS

.060-.100 DIA	22-18 AWG	.020	61481-1
INSULATION RANGE	WIRE SIZE	MATING TAB THK ±.001	PART NO

THIS DRAWING IS A CONTROLLED DOCUMENT.		DWN	JR RUTH	4/22/91	TE Connectivity RECEPTACLE, FASTON, FLAG, .110 SERIES								
DIMENSIONS: INCHES		CHK	MS FEHER	4/22/91									
TOLERANCES UNLESS OTHERWISE SPECIFIED:		APVD	C MEYERS	4/22/91									
0 PLC ± - 1 PLC ± - 2 PLC ± - 3 PLC ± .015 4 PLC ± - ANGLES ± -		PRODUCT SPEC		NAME									
MATERIAL	BRASS	FINISH	PRE-TIN	WEIGHT	-	SIZE	A3	CAGE CODE	00779	DRAWING NO	C-61481	RESTRICTED TO	-
CUSTOMER DRAWING				SCALE	8:1	SHEET	1 OF 1	REV	D				